

ISL6364CCRZ-T

Inombolo yendawo	ISL6364CCRZ-T	RoHS Imeko	
Umkhqizi / Umshicileli	Renesas Electronics Corporation	Isimo seStock	4356 pcs stock
Ingcaciso yeMveliso	IC REG CTRLR VR12 2OUT 48QFN	Umkhumbi	Hong Kong
Maxwebhu	ISL6364C Overview.pdf	Indlela yokuthunyelwa	DHL/Fedex/TNT/UPS/EMS

Fumana i-Quote

Nceda ucofe u "Fumana isicatshulwa" kwaye ugcwalise onke amasimi afunekayo. Siza kuphendula kwisicelo sakho kwisithuba seeyure ezingama-24 nge-imeyile. Ukuba udibana nayiphi na imicimbi, nceda ushiye umyalezo okanye i-imeyile info@global-ic.hk, kwaye siya kubuyela kuwe ngokukhawuleza.

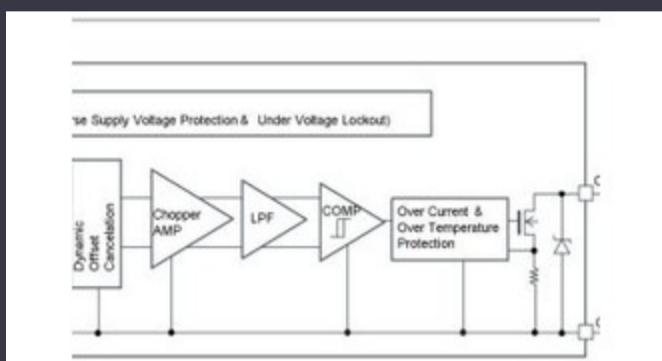
FUMANA I-QUOTE

Umfanekiso ungabonakaliswa. Bona iinkcukacha zeenkukacha zeemveliso.

I- yeenkcazo ze- ye-ISL6364CCRZ-T

I-Voltage - Output	0.25V ~ 1.52V	I-Voltage - Input	4.75V ~ 5.25V
Iphakheji yeCandelo leNkonzo	48-QFN (6x6)	Uchungechunge	-
Iphakheji / Iimeko	48-VFQFN Exposed Pad	Iphakheji	Tape & Reel (TR)
Ukushisa okusebenzayo	0°C ~ 70°C	Inani leZiphumo	2
Uhlobo lokuPhakamisa	Surface Mount	Inombolo yemveliso yemveliso	ISL6364
Izicelo	Controller, Intel VR12		

Iindaba ezinxulumene noko



I-Augnetive Agudic Agnetic Arkmark basebenza ukuya kuthi ga kwi-38V 2023/08/23	Imodyuli ye-wire-wire 2023/09/13	I-Sony ijolise kwikamera kumanzi kunye neerobothi zabasebenzisi bemizi-mveliso 2023/09/6
I-CSL's entsha yokwakha i-derbyshire hq ingamaxesha amathandathu amakhulu 2023/08/3	Umxholo oxhaswe: I-calterah, ukukhokela umboneleli we-MMWeve MMWave, uzisa i-radar ye-radar ye-radar ye 2023/09/11	Umhlaba ongenisiweyo: I-Wi-Fi 6, iBluetooth kunye ne-IEEE 802.15.4 LR-WPAN WPAN kwimodyuli enye 2023/03/16
Ingxelo yenkqubela phambili ye-Reram 2023/04/26	Injongo yenyani 2023/07/19	Umvalo we-Audio kunye nendawo yayo kwindaleko yeBluetooth 2023/07/19
		I-Toshiba yongeza i-spine-pic ye-pic ye-mosfet yokusika ilahleko 2023/08/31