



TPS3606-33DGSR

Inombolo yendawo	TPS3606-33DGSR	RoHS Imeko	
Umkhiqizi / Umshicileli	N/A	Isimo seStock	28703 pcs stock
Ingcaciso yeMveliso	IC SUPERVISOR 1 CHANNEL 10VSSOP	Umkhumbi	Hong Kong
Maxwebhu	TPS3606-33.pdf	Indlela yokuthunyelwa	DHL/Fedex/TNT/UPS/EMS

28703 pcs stock
I Intlawulo yeReferensi (KwiiDola zase-US)

2500 pcs	\$1.314
----------	---------

Fumana i-Quote

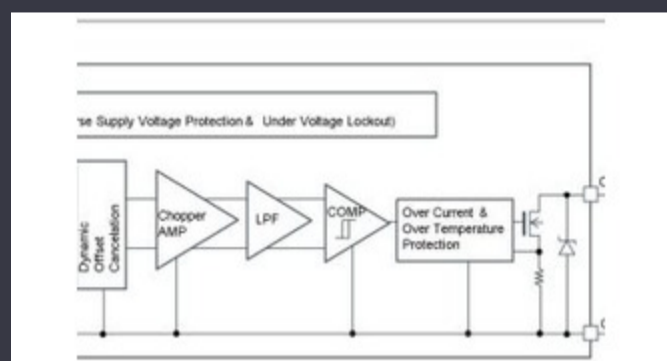
Nceda ucofe u "Fumana isicatshulwa" kwaye ugcwalise onke amasimi afunekayo. Siza kuphendula kwisicelo sakho kwisithuba seeyure ezingama-24 nge-imeyile. Ukuba udibana nayiphi na imicimbi, nceda ushiye umyalezo okanye i-imeyile info@global-ic.hk, kwaye siya kubuyela kuwe ngokukhawuleza.

FUMANA I-QUOTE

I- yeenkcazo ze- ye-TPS3606-33DGSR

I-Voltage - Threshold	2.93V	Uhlobo	Battery Backup Circuit
Iphakheji yeCandelo leNkonzo	10-VSSOP	Uchungechunge	-
Hlela kwakhona ixesha	60ms Minimum	Hlela kwakhona	Active Low
Iphakheji / Iimeko	10-TFSOP, 10-MSOP (0.118", 3.00mm Width)	Iphakheji	Tape & Reel (TR)
Isiphumo	Push-Pull, Totem Pole	Ukushisa okusebenzayo	-40°C ~ 85°C (TA)
Inani leemiqulu ekhangelweyo	1	Uhlobo lokuPhakamisa	Surface Mount
Inombolo yemveliso yemveliso	TPS3606		

Iindaba ezinxulumene noko



I-Augnetive Agudic Agnetic Arkmark basebenza ukuya kuthi ga kwi-38V	Umhlaba ongenisiweyo: Alded Alder Lake DCS	I-Gugd, ekhuselweyo i-Gan ivula amathuba okurhweba kumaziko edatha, izithuthi kunye ne-PV
2023/08/23	2023/03/15	2023/09/7
Amehlo e-Easoby isilayi semakethi ye-IOI nge-SBCS	I-PCBS yoLwandle kwi-Smart Cardiac esweni, nangaphezulu	I-AutoMotive Boll Sensor i-1% ngaphezulu kobomi kwaye ibandakanya i-MCU
2023/07/18	2023/08/16	2023/09/12
Iibhanki ezinkulu ze-Supercactor zokugcina amandla	I-cobot ye-schneider inokuphakamisa i-3kg kunye nenqanaba ukuya kwi-20µm	I-Borgwarner ifumana i-SIC isuka kwi-st kunye ne-onsemi
2023/08/16	2023/08/7	2023/08/31
	Ukujonga	Umhlaba ongenisiweyo
	2023/07/14	2023/03/15
	Imodyuli ye-wire-wire	
	2023/09/13	