



INA351CDSIDSGR

Inombolo yendawo	INA351CDSIDSGR	RoHS Imeko	
Umkhqizi / Umshicileli	N/A	Isimo seStock	142838 pcs stock
Ingcaciso yeMveliso	TINY (1.5-MM 2-MM) LOW-POWER (10	Umkhumbi	Hong Kong
Maxwebhu		Indlela yokuthunyelwa	DHL/Fedex/TNT/UPS/EMS

142838 pcs stock
I Intlawulo yeReferensi (KwiiDola zase-US)

1 pcs	10 pcs	25 pcs	100 pcs	250 pcs	500 pcs	1000 pcs
\$0.439	\$0.386	\$0.362	\$0.296	\$0.275	\$0.234	\$0.187

Fumana i-Quote

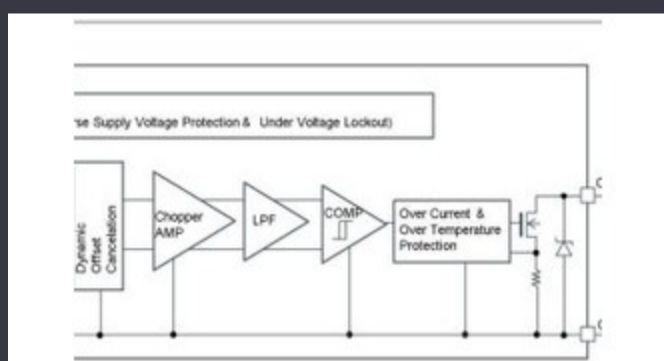
Nceda ucofe u "Fumana isicatshulwa" kwaye ugcalise onke amasimi afunekayo. Siza kuphendula kwisicelo sakho kwisithuba seeyure ezingama-24 nge-imeyile. Ukuba udibana nayiphi na imicimbi, nceda ushiye umyalezo okanye i-imeyile info@global-ic.hk, kwaye siya kubuyela kuwe ngokukhawuleza.

FUMANA I-QUOTE

I- yeenkcazo ze- ye-INA351CDSIDSGR

I-Voltage-Poents Pay (Min)	1.8 V	I-Voltage-Svent Hander (Max)	5.5 V
I-Voltage - Input Offset	200 μ V	Iphakheji yeCandelo leNkonzo	8-WSON (2x2)
Isilinganiselo Slew	0.2V/ μ s	Uchungechunge	-
Iphakheji / Iimeko	8-WDFDN Exposed Pad	Iphakheji	Tape & Reel (TR)
Uhlobo lohlobo	Single-Ended	Ukushisa okusebenzayo	-40°C ~ 125°C
Inani lesekethe	1	Uhlobo lokuPhakamisa	Surface Mount
Ukunikezelwa kwangoku	110 μ A	I-Current - Output / Channel	20 mA
I-Current Bias Input	0.65 pA	Uhlobo lwe-Amplifier	Instrumentation
-3db Bandwidth	100 kHz		

Iindaba ezinxulumene noko



I-Augnetive Agudic Agnetic Arkmark basebenza ukuya kuthi ga kwi-38V 2023/08/23	I-Toshiba yongeza i-spine-pic ye-pic ye-mosfet yokusika ilahleko 2023/08/31	I-Skrolls yeGoogle kunye ne-flutter ye-flutter ukuya kwinguqulelo 3.13 2023/08/30
Ubuncinci obuncinci obungachaphazeli bhetele bhetele i-neuron enye 2023/07/21	Iikamera zokuhlola zilinganisa ukuya kwi-800nm kwimveliso 2023/08/11	Ukujonga 2023/07/14
Umxholo oxhaswayo: Ikamva lokhuseleko lwemoto ngoyilo 2023/04/19	I-5V Switch iquka ibhlogo ephindaphindiweyo kunye nokudaniswa okukhoyo ngoku 2023/08/17	Inkqubo yemodyuli-iMtyholi ikwiinkcukacha ezifakelweyo 2023/04/5
	I-cobot ye-schneider inokuphakamisa i-3kg kunye nenqanaba ukuya kwi- I-Gugd, ekhuselweyo i-Gan ivula amathuba okurhweba kumaziko edatha, izithuthi kunye ne-PV 2023/08/7	2023/09/7
	Umxholo oxhaswe: Ukuya kwimpumelelo: Ukuguqula i-OT kunye ne-Inveloof Reneyment Infra 2023/09/18	